

INSTALLATION INSTRUCTIONS

DESCRIPTION: Bed Light Kit

PART NUMBER: B4M-H54D0-V0

MODEL: 2021+ Wolverine R-Max2 and X2



⚠ WARNING

Please read and understand these instructions completely before installation to avoid possible injury, or damage to the accessory or vehicle.

NOTICE:

Installation of this kit requires a torque wrench and should be performed by an authorized Yamaha dealer or a qualified mechanic.

WARRANTY INFORMATION:

In the United States, see your Yamaha dealer for a copy of the Yamaha Genuine Parts and Accessories Limited Warranty.

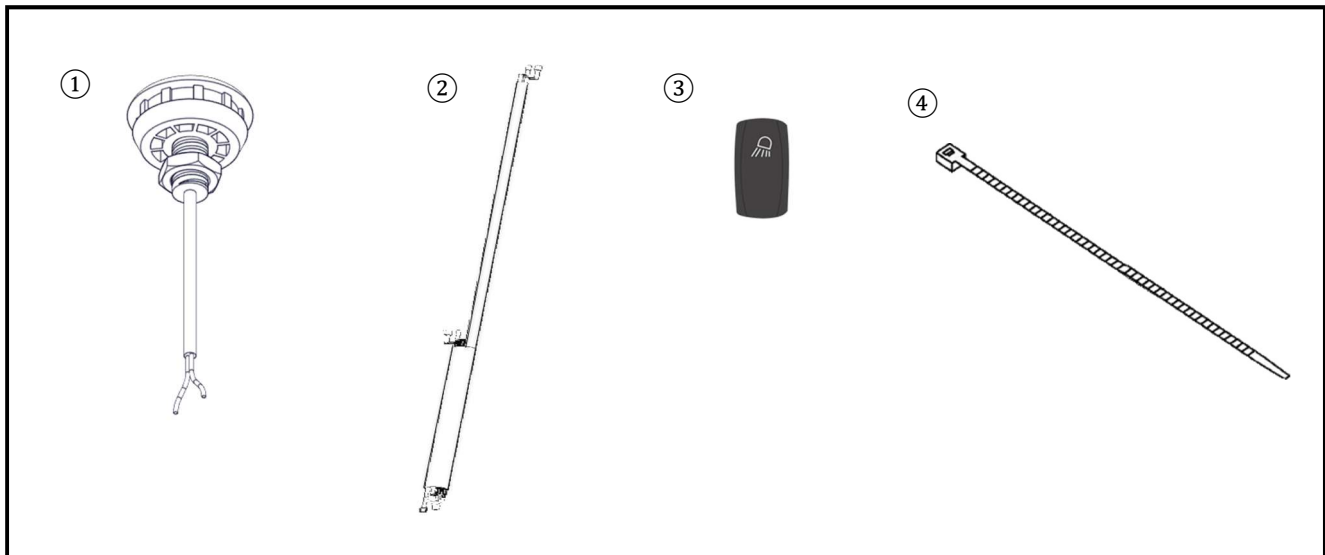
DEALER OR INSTALLER:

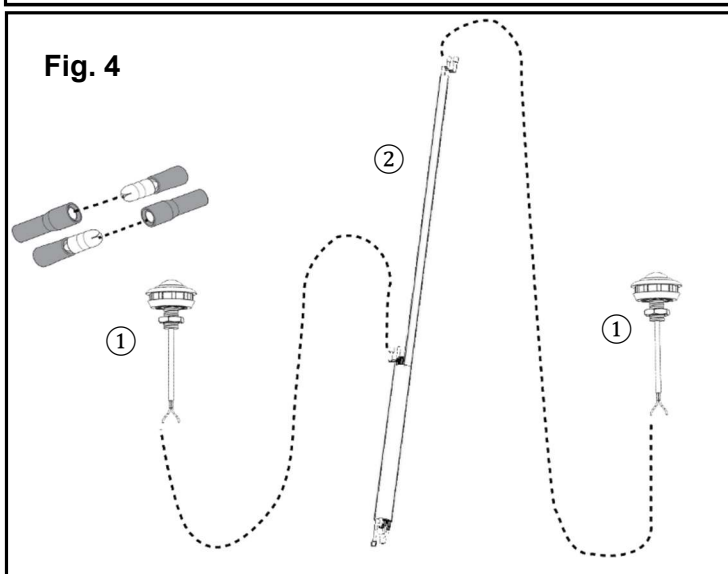
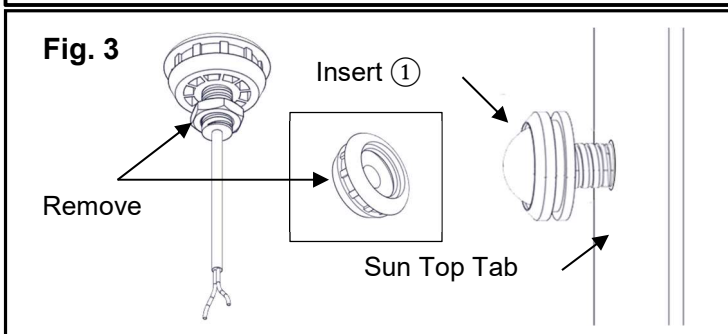
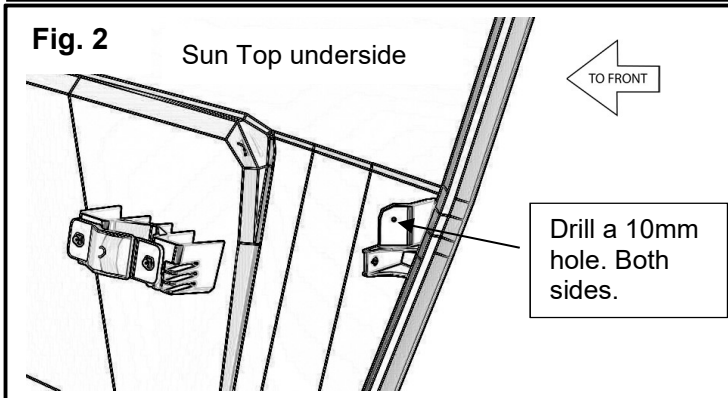
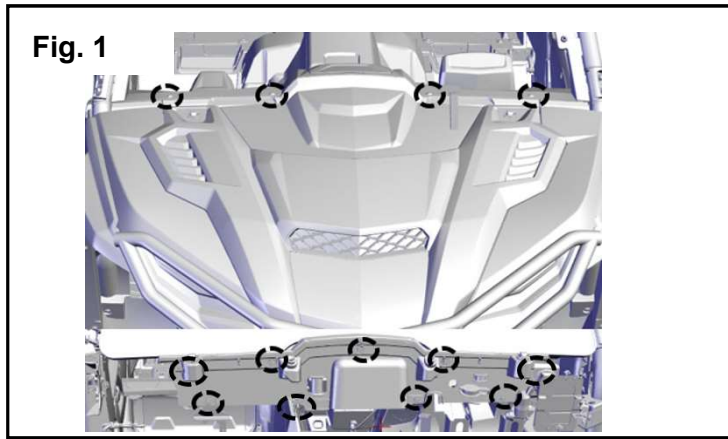
These instructions contain important information for future reference and *must* be given to the customer.

PARTS LIST:

No.	Part Number	Description	Qty
--	B4M-H54D0-V0	Bed Light Kit	--
①	BG4-H5460-V0	LED Assembly	2
②	B4M-H356N-V0	Wire Harness	1
③	B4M-H218G-V0	Switch	1
④	90464-80X00	Cable Tie	10

* Part supplied with kit only and not available separately.





PREPARATION:

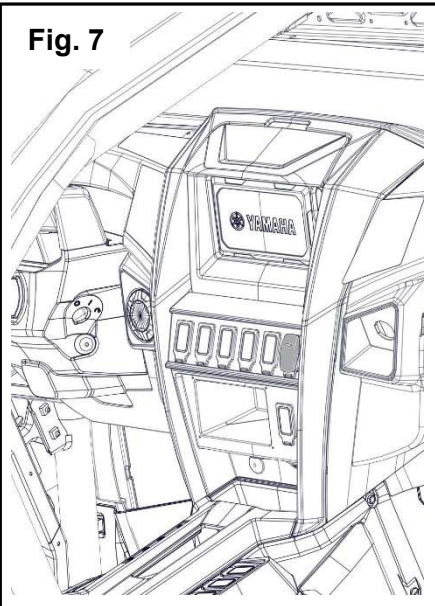
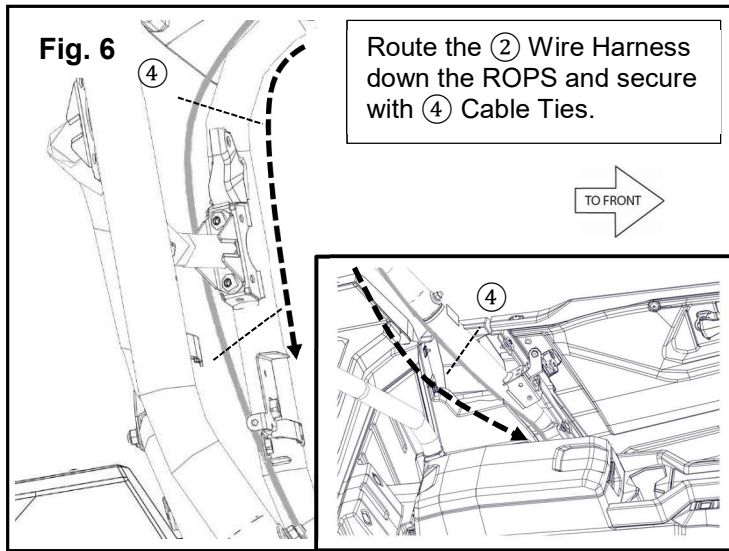
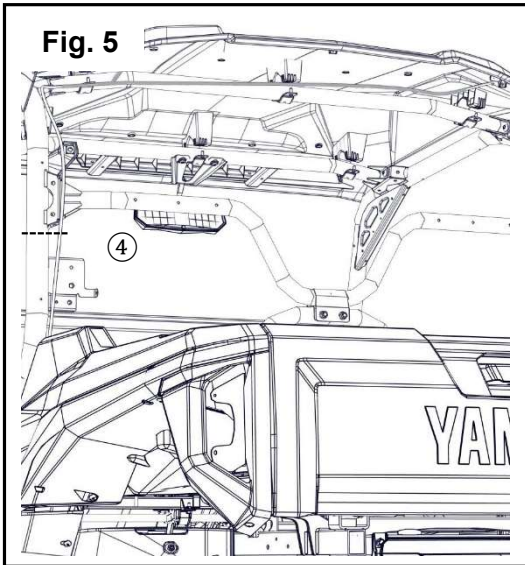
- Place the vehicle on a secure and level surface.
- Set the parking brake.
- Clean the mounting surfaces before beginning installation.

PARTS REMOVAL:

1. Refer to the service manual for part removal procedures and torque specifications for the reinstallation of the parts.
2. Remove the driver's side seat and the rear section under the driver side seat frame.
3. Remove the center console bezel and then the center console.
4. Remove the center dash bezel.
5. Remove the inside panel behind the driver's seat. (Fig. 6)
6. Remove the hood. (Fig. 1)
7. Remove the inner firewall. (Fig. 1)
8. Retain all hardware for reuse.

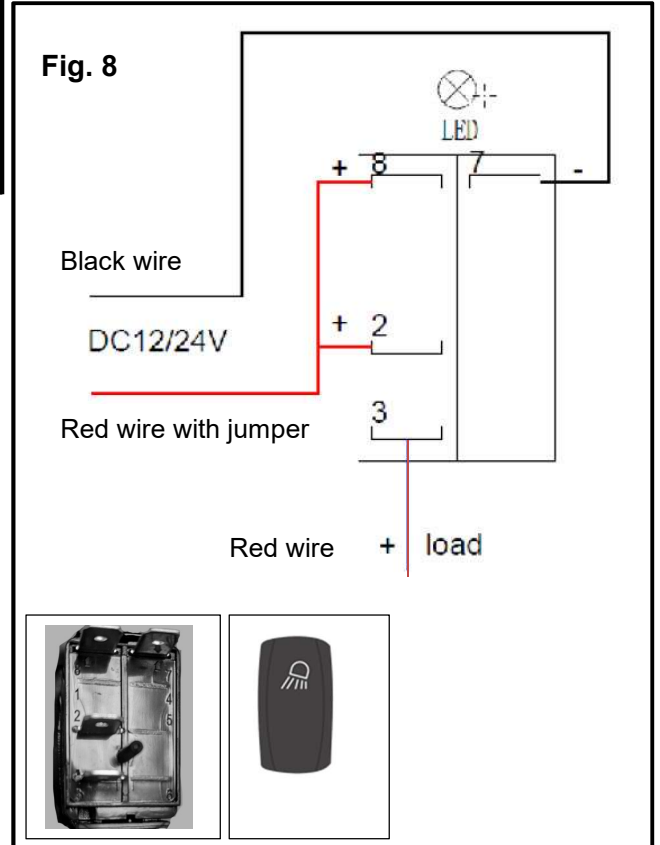
INSTALLATION:

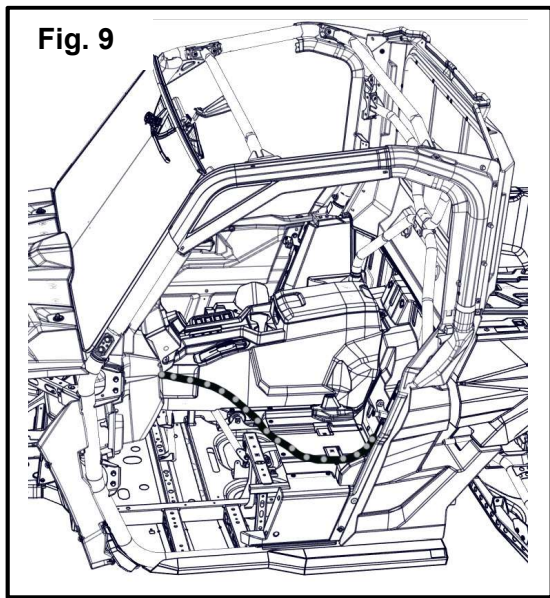
1. Locate the drill points for the Bed Lighting Tab on the Sun Top. (Fig. 2)
2. Drill a 10mm hole into the Sun Top tab and the ① LED Assembly will fit in the hole. (Fig. 2)
3. Remove the metal nut from the back of the ① LED Assembly. (Fig. 3)
4. Remove the rubber grommet. It will not be re-used. Insert ① LED Assembly into the Sun Top. (Fig. 3)
5. Thread back on the metal nuts for the ① LED Assemblies and tighten by hand. (Fig. 3)
6. Connect the ② Wire Assembly into the back of the ① LED Assemblies such that the long wire reaches across to the passenger side and the shorter wire reaches the light on the driver's side. This will allow the ② Wire Assembly to be run down the driver's side B pillar. (Fig. 4 and 5)
7. Route the wires across the back of the overhead ROPS tube and down the driver's side "B" pillar. Secure with ④ Cable Ties (marked with a dashed line in the figures). (Fig. 5 and 6)
8. Route the ② Wire Harness under the driver's side seat frame and through the center tunnel to the center dash. (Fig. 6 and 9)
9. Remove one of the blank covers in the center dash bezel. Insert the ③ Switch into the center dash bezel location. The light symbol should be oriented so that the light rays point toward the bottom of the vehicle. (Fig. 7 and 8)



10. Finish routing the ② Wire Harness up into the dash location and plug the ② Wire Harness into one of the 12V 2-pin accessory plugs for power. (Fig. 10)
11. Reassemble the center console and the center console bezel.
12. Refer to the diagram and attach the ③ Switch to the ② Wire Harness. Install the center bezel back in place. (Fig. 8)
13. Reassemble the inner firewall and replace the hood.
14. Install the inner body panel behind the driver's seat and the floorboard.
15. Install the driver's seat.

Note: If the Glass Rear Window is installed, the Bed Lighting Kit will be installed in the window frame instead. Locate the two drill points and follow this procedure. Figure 11 shows the Bed Lighting drill points in the frame.





MAINTENANCE:

Periodically, check torque on all hardware. If loose hardware is found, re-torque to specification.

CARE AND CLEANING:

Clean painted metal parts with a clean soft cloth and mild soap and water solution. Rinse and dry.

CUSTOMER SERVICE:

For further information see your Yamaha dealer.

ESTIMATED TIME TO INSTALL: 1.0 HRS.

